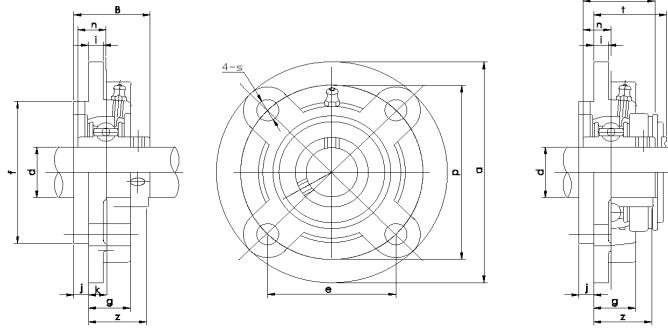
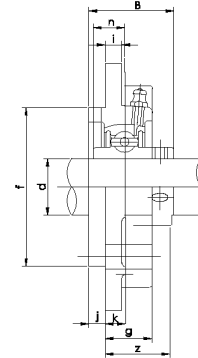
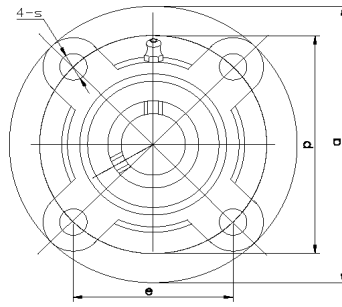


Flange cartridge unit - Standard duty Set screw type



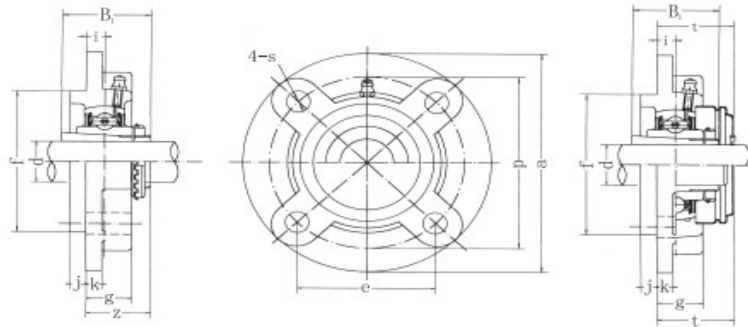
Unit No.	Dimensions (mm / inch)														Bolt Size mm inch	Bearing No.	Housing No.	Weight (kg)
	d	a	p	e	i	S	j	k	g	f	z	B	n					
UCFC201	12	100	78	55.1	10	12	5	7	20.5	62	28.3	31	12.7	M10	UC201	FC204	0.73	
UCFC201-8	1/2	3-15/16	3-5/64	2-11/64	25/64	15/32	13/64	9/32	13/16	2.4409	36899	1.2205	0.5	3/8	UC201-8		0.72	
UCFC202	15	100	78	55.1	10.391	12.469	5.2031	7.2813	20.5	62	28.3	31	12.7	M10	UC202	FC204	0.72	
UCFC202-9	9/16	3-15/16	3-5/64	2-11/64	25/64	15/32	13/64	9/32	13/16	2.4409	36899	1.2205	0.5	3/8	UC202-9		0.72	
UCFC202-10	5/8														UC202-10	0.72		
UCFC203	17	100	78	55.1	10	12	5	7	20.5	62	28.3	31	12.7	M10	UC203	FC204	0.71	
UCFC203-11	11/16	3-15/16	3-5/64	2-11/64	25/64	15/32	13/64	9/32	13/16	2.4409	36899	1.2205	0.5	3/8	UC203-11		0.70	
UCFC204	20	100	78	55.1	10	12	5	7	20.5	62	28.3	31	12.7	M10	UC204	FC204	0.69	
UCFC204-12	3/4	3-15/16	3-5/64	2-11/64	25/64	15/32	13/64	9/32	13/16	2.4409	36899	1.2205	0.5	3/8	UC204-12		0.69	
UCFC205	25	115	90	63.6	10	12	6	7	21	70	29.8	34.1	14.3	M10	UC205	FC205	1.00	
UCFC205-13	13/16	4-17/32	3-35/64	2-1/2	25/64	15/32	15/64	9/32	53/64	2.7559	1-11/64	1.3425	0.563	3/8	UC205-13		1.04	
UCFC205-14	7/8														UC205-14		1.03	
UCFC205-15	15/16														UC205-15		1.01	
UCFC205-16	1														UC205-16		1.00	
UCFC206	30														125	100	70.7	10
UCFC206-17	1-1/16	4-59/64	3-15/16	2-25/32	25/64	15/32	5/16	5/16	29/32	3.1496	1-17/64	1.5	0.626	3/8	UC206-17	1.31		
UCFC206-18	1-1/8														UC206-18	1.32		
UCFC206-19	1-1/16														UC206-19	1.30		
UCFC206-20	1-1/4														UC206-20	1.29		
UCFC207	35														135	110	77.8	11
UCFC207-20	1-1/4	5-5/16	4-21/64	3-1/16	7/16	35/64	5/16	23/64	1-1/32	3.5433	1-7/16	1.689	0.689	7/16	UC207-20	1.87		
UCFC207-21	1-5/16														UC207-21	1.84		
UCFC207-22	1-3/8														UC207-22	1.81		
UCFC207-23	1-7/16														UC207-23	1.78		
UCFC208	40														145	120	84.8	11
UCFC208-24	1-1/2	5-45/64	4-23/32	3-11/32	7/16	35/64	25/64	23/64	1-1/32	3.937	1-5/8	1.937	0.748	7/16	UC208-24	2.18		
UCFC208-25	1-9/16														UC208-25	2.15		
UCFC209	45	160	132	93.3	10	16	12	14	26	105	40.2	49.2	19	M14	UC209	2.68		
UCFC209-26	1-5/8	1-11/16	6-19/64	5-13/64	3-43/64	25/64	5/8	15/32	35/64	1-1/32	4.1339	1-37/64	1.937	0.748	1/2	UC209-26	2.78	
UCFC209-27	1-11/16															UC209-27	2.74	
UCFC209-28	1-3/4															UC209-28	2.70	
UCFC210	50															165	138	97.6
UCFC210-29	1-13/16	6-1/2	5-7/16	3-27/32	25/64	5/8	15/32	35/64	1-7/64	4.3307	1-11/16	2.0315	0.748	1/2	UC210-29	3.02		
UCFC210-30	1-7/8														UC210-30	2.97		
UCFC210-31	1-15/16														UC210-31	2.92		
UCFC210-32	2														UC210-32	2.88		
UCFC211	55	185	150	106.1	13	19	12	15	31	125	46.4	55.6	22.2	M16	UC211	4.01		
UCFC211-32	2	7-9/32	5-29/32	4-3/16	33/64	3/4	15/32	19/32	1-7/32	4.9213	1-53/64	2.189	0.874	5/8	UC211-32	4.16		
UCFC211-33	2-1/16														UC211-33	4.10		
UCFC211-34	2-1/8														UC211-34	4.05		
UCFC211-35	2-3/16														UC211-35	3.99		
UCFC212	60	195	160	113.1	17	19	12	15	36	135	56.7	65.1	25.4	M16	UC212	4.94		
UCFC212-36	2-1/4	7-11/16	6-19/64	4-29/64	43/64	3/4	15/32	19/32	1-27/64	5.315	2-15/64	2.563	1	5/8	UC212-36	5.07		
UCFC212-37	2-5/16														UC212-37	4.99		
UCFC212-38	2-3/8														UC212-38	4.92		
UCFC212-39	2-7/16														UC212-39	4.85		
UCFC213	65	205	170	120.2	16	19	14	15	36	145	55.7	65.1	25.4	M16	UC213	5.65		
UCFC213-40	2-1/2	8-5/64	6-11/16	4-47/64	5/8	3/4	35/64	19/32	1-27/64	5.5118	1-3/16	2.563	1	5/8	UC213-40	5.74		
UCFC213-41	2-9/16														UC213-41	5.65		
UCFC214	70	215	177	125.1	17	19	14	18	40	150	61.4	74.6	30.2	M16	UC214	6.95		
UCFC214-42	2-5/8	8-15/32	6-31/32	4-59/64	43/64	3/4	35/64	23/32	1-37/64	5.9055	1-13/32	2.937	1.189	5/8	UC214-42	7.16		
UCFC214-43	2-11/16														UC214-43	7.06		
UCFC214-44	2-3/4														UC214-44	6.96		
UCFC215	75	220	184	130.1	18	19	16	18	40	160	62.5	77.8	33.3	M16	UC215	7.56		
UCFC215-45	2-13/16	8-21/32	7-1/4	5-1/8	23/32	3/4	5/8	23/32	1-37/64	6.2992	2-15/32	3.063	1.311	5/8	UC215-45	7.81		
UCFC215-46	2-7/8														UC215-46	7.70		
UCFC215-47	2-15/16														UC215-47	7.59		
UCFC215-48	3														UC215-48	7.47		
UCFC216	80	240	200	141.4	18	23	16	18	42	170	67.3	82.6	33.3	M20	UC216	9.15		
UCFC216-49	3-1/16	9-29/64	7-7/8	5-9/16	23/32	29/32	5/8	23/32	1-21/32	6.6929	2-21/32	3.252	1.311	3/4	UC216-49	9.28		
UCFC216-50	3-1/8														UC216-50	9.20		
UCFC216-51	3-3/16														UC216-51	9.07		
UCFC217	85	250	208	147.1	18	23	18	20	45	180	69.6	85.7	34.1	M20	UC217	10.81		
UCFC217-52	3-1/4	9-27/32	8-3/16	5-51/64	23/32	29/32	23/32	25/32	1-25/32	7.0866	2-3/4	3.374	1.343	3/4	UC217-52	11.03		
UCFC217-53	3-5/16														UC217-53	10.89		
UCFC217-55	3-7/16														UC217-55	10.60		
UCFC218	90	265	220	155.5	22	23	18	20	50	190	78.3	96	39.7	M20	UC218	12.96		
UCFC218-56	3-1/2	10-7/16	8-21/32	6-1/8	###	29/32	23/32	25/32	1-31/32	7.4803	3-3/32	3.7795	1.563	3/4	UC218-56	13.07		

Flange cartridge unit - Medium duty Set screw type



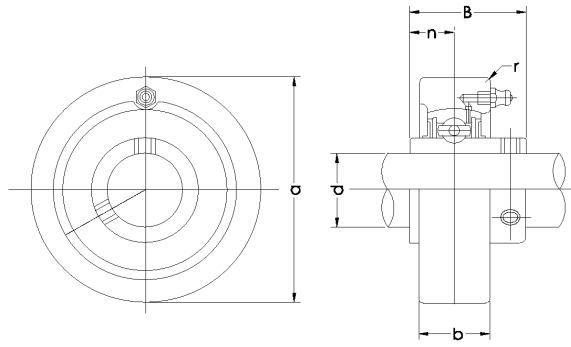
Unit No.	Dimensions (mm / inch)														Bolt Size mm inch	Bearing No.	Housing No.	Weight (kg)												
	d	a	p	e	i	s	j	k	g	f	z	B	n																	
UCFCX05	25	111	92	65	10	9.5	6	9.5	24	76	32.2	38.1	15.9	M8	UCX05	FCX05	1.20													
UCFCX05-13	13/16	4-3/8	3-5/8	2-9/16	25/64	3/8	15/64	3/8	15/16	2.99	1-9/32	1.5	0.63	5/16	UCX05-13															
UCFCX05-14	7/8	4-3/8	3-5/8	2-9/16	25/64	3/8	15/64	3/8	15/16	2.99	1-9/32	1.5	0.63	5/16	UCX05-14	FCX05	1.20													
UCFCX05-15	15/16	4-3/8	3-5/8	2-9/16	25/64	3/8	15/64	3/8	15/16	2.99	1-9/32	1.5	0.63	5/16	UCX05-15															
UCFCX05-16	1														UCX05-16															
UCFCX06	30	127	105	74.2	8	12	9.5	9.5	22.5	85	33.4	42.9	17.5	M10	UCX06	FCX06	1.50													
UCFCX06-17	1-1/16	5	4-9/64	2-59/64	5/16	15/32	3/8	3/8	7/8	3.35	1-5/16	1.69	0.69	3/8	UCX06-17															
UCFCX06-18	1-1/8														UCX06-18															
UCFCX06-19	1-3/16														UCX06-19															
UCFCX06-20	1-1/4														UCX06-20															
UCFCX07	35														133	111	78.5	9	12	11	11	26	92	39.2	49.2	19	M10	UCX07	FCX07	1.90
UCFCX07-21	1-5/16	5-1/4	4-3/8	3-3/32	23/64	15/32	7/16	7/16	1-1/32	3.62	1-17/32	1.9370	0.75	3/8	UCX07-21															
UCFCX07-22	1-3/8														UCX07-22															
UCFCX07-23	1-7/16														UCX07-23															
UCFCX08	40														133	111	78.5	9	12	11	11	26	92	39.2	49.2	19	M10	UCX08	FCX08	2.00
UCFCX08-24	1-1/2	5-1/4	4-3/8	3-3/32	23/64	15/32	7/16	7/16	1-1/32	3.62	1-17/32	1.9370	0.75	3/8	UCX08-24															
UCFCX08-25	1-9/16														UCX08-25															
UCFCX09	45														155	130	91.9	8	14	12	11	25	108	40.6	51.6	19	M12	UCX09	FCX09	2.60
UCFCX09-26	1-5/8	6-3/32	5-1/8	3-5/8	5/16	35/64	15/32	7/16	63/64	4.25	1-19/32	2.03	0.75	7/16	UCX09-26															
UCFCX09-27	1-11/16														UCX09-27															
UCFCX09-28	1-3/4														UCX09-28															
UCFCX09-29	1-13/16														UCX09-29															
UCFCX10	50														162	136	96.2	7	14	16	11	25	118	40.4	55.6	22.2	M12	UCX10	FCX10	3.20
UCFCX10-30	1-7/8	6-3/8	5-23/64	3-25/32	9/32	35/64	5/8	7/16	63/64	4.65	1-19/32	2.19	0.87	7/16	UCX10-30															
UCFCX10-31	1-15/16														UCX10-31															
UCFCX10-32	2														UCX10-32															
UCFCX11	55														180	152	107.5	4	16	22	13	26	127	43.7	65.1	25.4	M14	UCX11	FCX11	4.30
UCFCX11-33	2-1/16	7-3/32	5-63/64	4-15/64	5/32	5/8	55/64	1/2	1-1/32	5	1-23/32	2.56	1	1/2	UCX11-33															
UCFCX11-34	2-1/8														UCX11-34															
UCFCX11-35	2-3/16														UCX11-35															
UCFCX11-36	2-1/4														UC211-36															
UCFCX11-37	2-5/16														UC211-37															
UCFCX12	60														194	165	116.7	11	16	20	14	33	140	50.7	65.1	25.4	M14	UCX12		
UCFCX12-38	2-3/8														7-5/8	6-1/2	4-19/32	7/16	5/8	25/32	9/16	1-5/16	5.51	2	2.56	1	1/2	UCX12-38		
UCFCX12-39	2-7/16	UCX12-39																												
UCFCX13	65	194	165	116.7	11	16	20	14	33	140	55.4	74.6	30.2	M14														UCX13	FCX13	5.70
UCFCX13-40	2-1/2	7-5/8	6-1/2	4-19/32	7/16	5/8	25/32	9/16	1-5/16	5.51	2-3/16	2.94	1.19	1/2	UCX13-40															
UCFCX13-41	2-9/16														UCX13-41															
UCFCX14	70														222	190	134.3	14	19	20	14	36	164	58.5	77.8	33.3	M16	UCX14	FCX14	7.30
UCFCX14-42	2-5/8	8-3/4	7-31/64	5-9/32	35/64	3/4	25/32	9/16	1-13/32	6.46	2-5/16	3.06	1.31	5/8	UCX14-42															
UCFCX14-43	2-11/16														UCX14-43															
UCFCX14-44	2-3/4														UCX14-44															
UCFCX15	75														222	190	134.3	12	19	22	16	35	164	61.3	82.6	33.3	M16	UCX15	FCX15	8.00
UCFCX15-45	2-13/16	8-3/4	7-31/64	5-9/32	15/32	3/4	55/64	5/8	1-3/8	6.4567	2-13/32	3.25	1.31	5/8	UCX15-45															
UCFCX15-46	2-7/8														UCX15-46															
UCFCX15-47	2-15/16														UCX15-47															
UCFCX15-48	3														UCX15-48															
UCFCX16	80														260	219	154.8	10	23	25	19	36	186	61.6	85.7	34.1	M20	UCX16	FCX16	11.30
UCFCX16-49	3-1/16	10-1/4	8-5/8	6-3/32	25/64	29/32	63/64	3/4	1-13/32	7.32	2-7/16	3.37	1.34	3/4	UCX16-49															
UCFCX16-50	3-1/8														UCX16-50															
UCFCX16-51	3-3/16														UCX16-51															
UCFCX16-52	3-1/4														UCX16-52															
UCFCX17	85														260	219	154.8	10	23	25	19	36	186	66.3	96	39.7	M20	UCX17		
UCFCX17-53	3-5/16														10-1/4	8-5/8	6-3/32	25/64	29/32	63/64	3/4	1-13/32	7.32	2-5/8	3.78	1.5630	3/4	UCX17-53		
UCFCX17-55	3-7/16	UCX17-55																												

Flange cartridge unit - Standard duty With adapter sleeve



Unit No.	Dimensions (mm / inch)												Bolt Size mm inch	Bearing No.	Housing No.	Weight (kg)
	d	a	p	e	i	s	j	k	g	f	z	B1				
UKFC205+H2305	20	115	90	63.6	10	12	6	7	21	70	29.5	35	M10	UK205+H2305	FC205	1.05
UKFC205+HE2305	3/4	4-17/32	3-35/64	37258	15/64	15/32	15/64	9/32	53/64	2.76	1-5/32	1.38	3/8	UK205+HE2305		
UKFC206+H2306	25	125	100	70.7	10	12	8	8	23	80	31	38	M10	UK206+H2306	FC206	1.34
UKFC206+HS2306	7/8	4-59/64	3-15/16	2-25/32	25/64	15/32	5/16	5/16	29/32	3.15	1-7/32	1.5	3/8	UK206+HS2306		
UKFC206+HE2306	1													UK206+HE2306		
UKFC207+H2307	30	135	110	77.8	11	14	8	9	26	90	33.5	43	M12	UK207+H2307	FC207	1.90
UKFC207+HS2307	1-1/8	5-5/16	4-21/64	3-1/16	7/16	35/64	5/16	23/64	1-1/32	3.54	1-5/16	1.69	7/16	UK207+HS2307		
UKFC208+H2308	35	145	120	84.8	11	14	10	9	26	100	35.5	46	M12	UK208+H2308	FC208	2.24
UKFC208+HE2308	1-1/4	5-45/64	4-23/32	3-11/32	7/16	35/64	25764	23/64	1-1/32	3.94	1-25/64	1.81	7/16	UK208+HE2308		
UKFC208+HS2308	1-3/8													UK208+HS2308		
UKFC209+H2309	40	160	132	93.3	10	16	12	14	26	105	36	50	M14	UK209+H2309	FC209	2.83
UKFC209+HA2309	1-7/16	6-19/64	5-13/64	3-43/64	25/64	5/8	15/32	35/64	1-1/32	4.13	1-27/64	1.97	1/2	UK209+HA2309		
UKFC209+HE2309	1-1/2													UK209+HE2309		
UKFC209+HS2309	1-5/8	UK209+HS2309														
UKFC210+H2310	45	165	138	97.6	10	16	12	14	28	110	37.5	55	M14	UK210+H2310	FC210	3.07
UKFC210+HS2310	1-5/8	6-1/2	5-7/16	3-27/32	25/64	5/8	15/32	35/64	1-7/64	4.33	1-15/32	2.17	1/2	UK210+HS2310		
UKFC210+HA2310	1-11/16													UK210+HA2310		
UKFC210+HE2310	1-3/4	UK210+HE2310														
UKFC211+H2311	50	185	150	106.1	13	19	12	15	31	125	41.5	59	M16	UK211.H2311	FC211	4.16
UKFC211+HS2311	1-7/8	7-9/32	5-29/32	4-3/16	33/64	3/4	15/32	19/32	1-7/32	4.92	1-41/64	2.32	5/8	UK211+HS2311		
UKFC211+HA2311	1-15/16													UK211+HA2311		
UKFC211+HE2311	2	UK211+HE2311														
UKFC212+H2312	55	195	160	113.1	17	19	12	15	36	135	48	62	M16	UK212+H2312	FC212	4.99
UKFC212+HS2312	2-1/8	7-11/16	6-19/64	4-29/64	43/64	3/4	15/32	19/32	1-27/64	5.32	1-57/64	2.44	5/8	UK212+HS2312		
UKFC213+H2313	60	205	170	120.2	16	19	14	15	36	145	49	65	M16	UK213+H2313	FC213	5.56
UKFC213+HA2313	2-3/16	8-5/64	6-11/16	4-47/64	5/8	3/4	35/64	19/32	1-27/64	5.51	1-15/16	2.56	5/8	UK213+HA2313		
UKFC213+HE2313	2-1/4													UK213+HE2313		
UKFC213+HS2313	2-3/8	UK213+HS2313														
UKFC215+H2315	65	220	184	130.1	18	19	16	18	40	160	53.5	73	M16	UK215+H2315	FC215	7.67
UKFC215+HA2315	2-7/16	8-21/32	7-1/4	5-1/8	23/32	3/4	5/8	23/32	1-37/64	6.3	2-7/64	2.87	5/8	UK215+HA2315		
UKFC215+HE2315	2-1/2													UK215+HE2315		
UKFC216+H2316	70	240	200	141.4	18	23	16	18	42	170	57	78	M20	UK216.-H2316	FC216	9.41
UKFC216+HA2316	2-11/16	9-29/64	7-7/8	5-9/16	23/32	29/32	5/8	23/32	1-21/32	6.69	2-1/4	3.07	3/4	UK216+HA2316		
UKFC216+HE2316	2-3/4													UK216+HE2316		
UKFC217+H2317	75	250	208	147.1	18	23	18	20	45	180	59	82	M20	UK217+H2317	FC217	11.23
UKFC217+HA2317	2-15/16	9-27/32	8-3/16	5-51/64	23/32	29/32	23/32	25/32	1-25/32	7.09	2-21/64	3.228	3/4	UK217+HA2317		
UKFC217+HE2317	3													UK217+HE2317		
UKFC218+H2318	80	265	220	155.5	22	23	18	20	50	190	64.5	86	M20	UK218+H2318	FC218	13.34
UKFC218+HA2318	3-3/16	10-7/16	8-21/32	6-1/8	55/64	29/32	23/32	25/32	1-31/32	7.48	3-35/64	3.386	3/4	UK218+HA2318		

Cartridge unit - Standard duty
Set screw type



Unit No.	Dimensions (mm / inch)						Bearing No. mm inch	Housing No.	Weight (kg)					
	d	a	g	r	B	n								
UCC201	12	72	20	2	31	12.7	UC201	C204	0.52					
UCC201-8	1/2	2.83	25/32	0.08	1.2205	0.5	UC201-8		0.51					
UCC202	15	72	20	2	31	12.7	UC202	C204	0.51					
UCC202-9	9/16	2.83	25/32	0.08	1.22	0.5	UC202-9		0.51					
UCC202-10	5/8						UC202-10		0.51					
UCC203	17	72	20	2	31	12.7	UC203	C204	0.50					
UCC203-11	11/16	2.83	25/32	0.08	1.22	0.5	UC203-11		0.49					
UCC204	20	72	20	2	31	12.7	UC204	C204	0.48					
UCC204-12	3/4	2.83	25/32	0.08	1.22	0.5	UC204-12		0.48					
UCC205	25	80	22	2	34.1	14.3	UC205	C205	0.63					
UCC205-13	13/16	3.15	55/64	0.08	1.34	0.56	UC205-13		0.67					
UCC205-14	7/8						UC205-14		0.66					
UCC205-15	15/16						UC205-15		0.64					
UCC205-16	1						UC205-16		0.63					
UCC206	30						85		27	2	38.1	15.9	UC206	C206
UCC206-17	1-1/16						3.35	1-1/16	0.08	1.5	0.63	UC206-17	0.83	
UCC206-18	1-1/8	UC206-18	0.82											
UCC206-19	1-3/16	UC206-19	0.80											
UCC206-20	1-1/4	UC206-20	0.79											
UCC207	35	90	28	2	42.9	17.5						UC207	C207	
UCC207-20	1-1/4	3.54	1-7/64	0.08	1.69	0.69						UC207-20		0.99
UCC207-21	1-5/16						UC207-21	0.96						
UCC207-22	1-3/8						UC207-22	0.93						
UCC207-23	1-7/16						UC207-23	0.90						
UCC208	40						100	30	2.5	49.2	19	UC208	C208	1.22
UCC208-24	1-1/2	3.94	1-3/16	0.1	1.94	0.75	UC208-24	1.26						
UCC208-25	1-9/16						UC208-25	1.23						
UCC209	45						110	31	2.5	49.2	19	UC209	C209	1.49
UCC209-26	1-5/8	4.33	1-7/32	0.1	1.94	0.75	UC209-26	1.59						
UCC209-27	1-11/16						UC209-27	1.55						
UCC209-28	1-3/4						UC209-28	1.51						
UCC210	50						120	33	2.5	51.6	19	UC210	C210	1.90
UCC210-29	1-13/16	4.72	1-19/64	0.1	2.03	0.75	UC210-29	2.02						
UCC210-30	1-7/8						UC210-30	1.97						
UCC210-31	1-15/16						UC210-31	1.92						
UCC210-32	2						UC210-32	1.88						
UCC211	55						125	35	2.5	55.6	22.2	UC211		C211
UCC211-32	2						4.92	1-3/8	0.1	2.19	0.87	UC211-32	2.33	
UCC211-33	2-1/16	UC211-33	2.27											
UCC211-34	2-1/8	UC211-34	2.22											
UCC211-35	2-3/16	UC211-35	2.16											
UCC212	60	130	38	2.5	65.1	25.4						UC212	C212	2.52
UCC212-36	2-1/4	5.12	1-1/2	0.1	2.56	1	UC212-36	2.65						
UCC212-37	2-5/16						UC212-37	2.57						
UCC212-38	2-3/8						UC212-38	2.50						
UCC212-39	2-7/16						UC212-39	2.43						
UCC213	65						140	40	3	65.1	25.4	UC213		C213
UCC213-40	2-1/2						5.51	1-37/64	0.12	2.56	1	UC213-40	3.07	
UCC213-41	2-9/16	UC213-41	2.98											