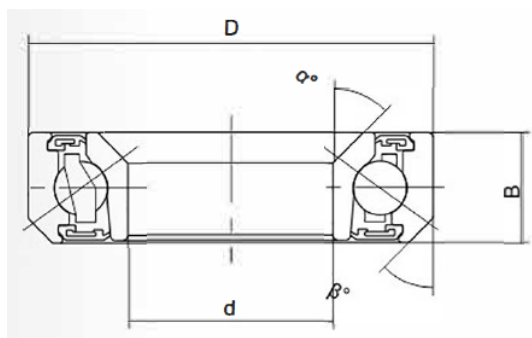


## Special Bicycle Headset Bearing



BEARING NO.	Overall Dimension					Load Rating (N)		Steel Ball	
	d	D	B	$\alpha$	$\beta$	Cr	Cor	Quantity	Dimension
ACB2738H6.5-36/45-2RS	27.15	38.0	6.5	36°	45°	4090	3120	20	3.175
ACB2738H6.3-45/45-2RS	27.20	38.0	6.3	45°	45°	4090	3120	20	3.175
ACB3039H6.5-45/45-2RS	30.15	39.0	6.5	45°	45°	3500	3050	26	2.778
ACB3041H6.5-36/45-2RS	30.15	41.0	6.5	45°	45°	4450	3850	25	3.175
ACB3041H6.3-45/45-2RS	30.20	41.8	6.5	45°	45°	4450	3850	25	3.175
ACB30418H6.3-45/45-2RS	30.15	41.8	6.5	45°	45°	4450	3850	25	3.175
ACB30418H6.5-45/45-2RS	30.15	41.8	7.0	45°	45°	4450	3850	25	3.175
ACB30418 H7-45/45 - RS	30.15	41.8	7.0	36°	45°	4450	3850	25	3.175
ACB30418 H7-45/45-2RS	30.20	41.8	7.0	45°	45°	4440	3840	25	3.175
ACB30418 H8-45 /45 - RS	30.50	41.8	8.0	45°	45°	4440	3840	25	3.175
ACB30418 H8 F45/45 - RS	30.50	41.8	8.0	45°	45°	4440	3840	25	3.175
ACB3042 H7-36/45 - 2RS	30.05	42.0	7.0	36°	45°	4440	3840	25	3.175
ACB33438 H7-30/45 - 2RS	33.05	43.8	7.0	30°	45°	4140	3520	23	3.175
ACB34468 H7-45/45 - 2RS	34.10	46.8	7.0	45°	45°	4740	4290	28	3.175
ACB34469 H7-45/45 - 2RS	34.10	46.9	7.0	45°	45°	4740	4290	28	3.175
ACB3547 H7-36/45 - 2RS	35.0	47.0	7.0	36°	45°	4720	4290	28	3.175
ACB3749 H7-45/45 - 2RS	37.0	49.0	7.0	45°	45°	4940	4580	30	3.175
ACB40518 H8-36/45 - RS	40.0	51.8	8.0	36°	45°	4820	4550	30	3.175
ACB4052 H6.5-36/45 - 2RS	40.0	52.0	6.5	36°	45°	4820	4550	30	3.175
K4052 H7 -45/45 - 2RS	40.0	52.0	7.0	45°	45°	4820	4550	30	3.175
K4052 H8 - 45/45 -2RS	40.0	52.0	8.0	45°	45°	4820	4550	30	3.175